

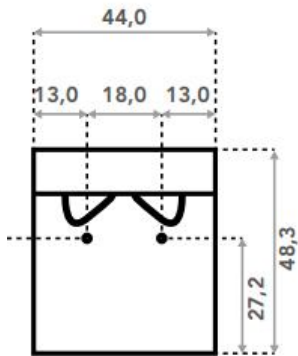
RT52

RT52 is an intelligent data transit terminal device which specializes in all kinds of data collecting, transiting and data processing. It supports analog signal sensors, on-off signal sensors and sensor signal input from RS485 interface. Supports GPS/Beidou and sends out location information via 3/4G mobile network, and warnings via sending SMS or data.

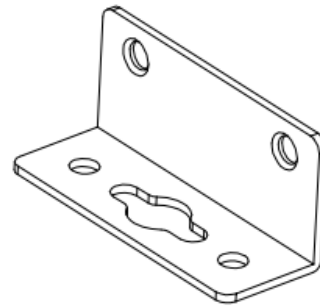
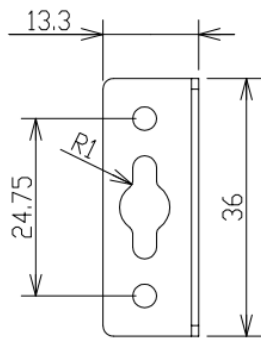


specification		
dimension	236 X 125 X 40 mm	
weight	About 500g	
Working temp	-30 ~ 75°C	
Storage temp	-40 ~ 85°C	
humidity	0% ~ 95% no condensation	
vibration	SAE J1455	
system		
CPU	MIPS32 74K Core. 533MHz/560DMIPs	Can be upgraded to MIPS32 74K Core. 533MHz/560DMIPs
Flash	8MB	Can extend to 16MB
RAM	64MB	Can extend to 128MB
Micro processor	Cortex M3	
Internal storage	8GB	Can extend to 64GB
Working voltage	+18V~+32V DC	
Working consumption	180mA/24V	
Idle consumption	100mA/24V	
4G/3G		
band	FDD Band 1/3/5 TDD Band 38/39/40/41 WCDMA 900/2100MHz	
	Class4 (2W) @900MHz; Class1 (1W) @1800MHz	

GPRS	Class10	
protocol	PPP、TCP、UDP、Ping	
gain	1.4dBi@900MHz , 3dBi@1800MHz	
resistance	50Ω	
SIM	1.8/3V micro-SIM	
AI	12 analog signal, 12Bit	
DI dry contact	12 on-off signal input detecting	
DI wet contact	4 0-5V digital signal detecting	
relay	2, Max 1A/30V DC; 0.3A/60V DC; 0.5A/125V AC	Can be used for signal control or direct current control
WAN/LAN	10/100M	
LAN	10/100M	
USB2.0	1	
4G Main ANT	4G/3G	
4G Aux ANT	4G/3G	
Wi-Fi	2.4G Wi-Fi	
GPS/BD	GPS /Beidou	
SIM	1	
RS485	3 XRS485	Default baut rate9600
RS232	1	Default Baut rate115200



A、Dinrail installatin



二、

Basic characteristics

- GPRS/3G/4G
- RS485 port, support Modbus-RTU protocol, max loading 32 device.
- DI digital signal input.
- AD input: can connect external 4-20mA currenny sensor or 0~+5V voltage sensor.can self-definition via software tool
- Wide voltage protection ,
- built-in o'clock battery
- configuration by Web page.
- Built-in programming function, to connection analog,on-off and data of modbus protocol sensor via serial port,and controk relay output,etc.

■ extension

- support normal data wireless on-time transit via GPRS/WCDMA/TDD-LTE/FDD-LTE
- support remote configuration and reset.
- support upgrade remotely.
- support Homtecs M2M remote management protocol
- support MQTT protocol and send data to public cloud server
- can extend the internal storage
- built-in temperature sensor
- GPS
- support WIFI,can connect via WIFI or APP to check local device status.

三、 interface terminal



a) power input/output

VIN=24V		VIN 24V	VIN 24V	+12V	+12V	+5V	Close 1	COM 1	Open 1
V+	V-	GND	GND	GND	GND	GND	Close 2	COM 2	Open 2
input18~32V		output				Relay interface			

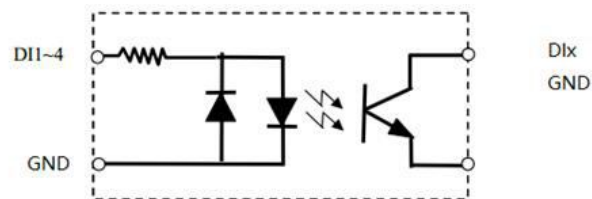
b) RS485

485 -A1	485 -B1	GND	485 -A2	485 -B2
TX	RX	GND	485 -A3	485 -B3
232 debug		485 down		

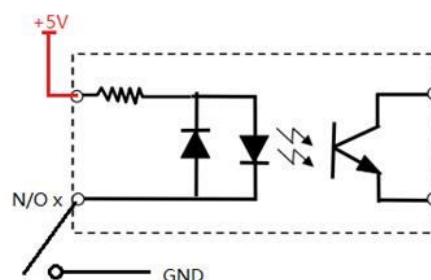
c) Digital signal input

DI 1	GND	DI 3	GND	N/O 1	GND	N/O 2	GND	N/O 3	GND	N/O 4	GND	N/O 5	GND	N/O 6	GND
DI 2	GND	DI 4	GND	N/O 7	GND	N/O 8	GND	N/O 9	GND	N/O 10	GND	N/O 11	GND	N/O 12	GND
0-5Vdigi signal input				digital on-off signal input,											

- Active digital signalinput: 4 active 0-5V digital signal input, the GND of input signal and GND of system use same.



- Passive digital signal input: 12 passive digi signal input



d) Analog signal input

AI 1	AI 3	AI 5	AI 7	AI 9	AI 11	A GND	A GND
AI 2	AI 4	AI 6	AI 8	AI 10	AI 12	A GND	A GND
4-20mA / 0~5V							

